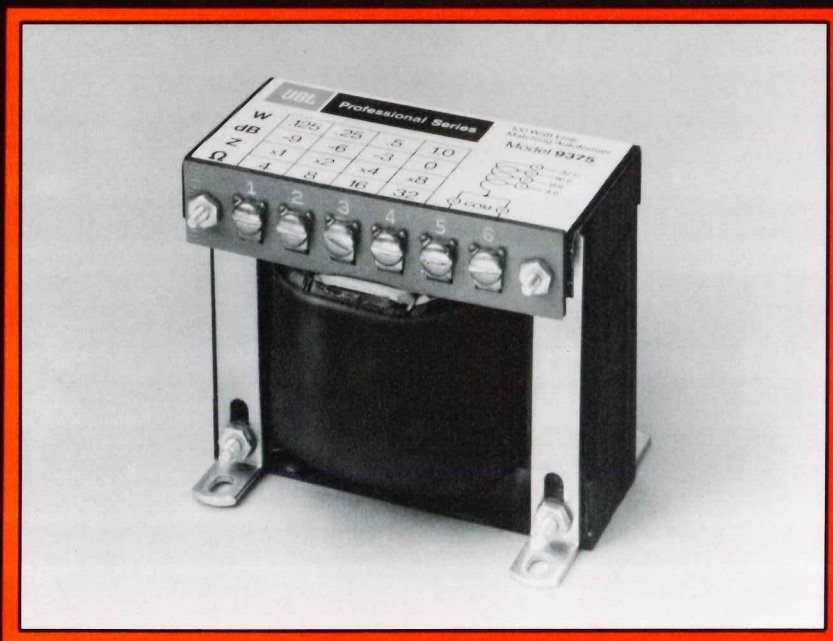


# 9375

## LINE MATCHING TRANSFORMER

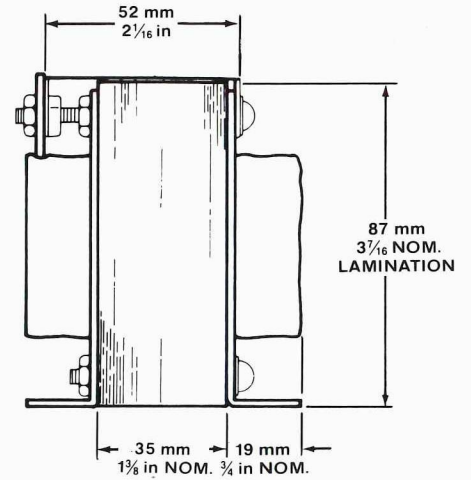
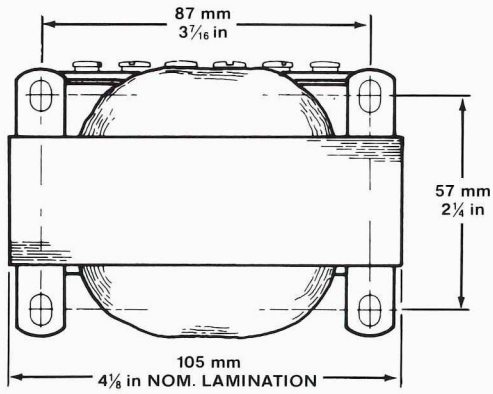
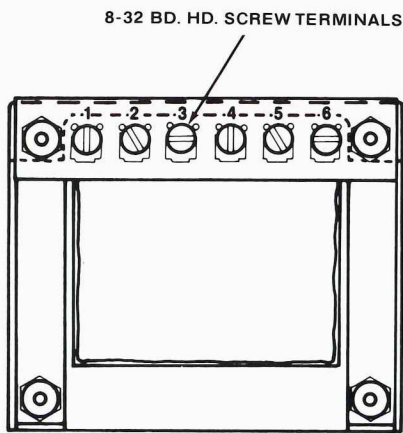


A 100-watt, wide-band autotransformer, the Model 9375 is designed for matching and balancing components in JBL professional speaker clusters. The 9375 allows matching 4  $\Omega$ , 8  $\Omega$ , 16  $\Omega$ , and 32  $\Omega$  loads in any combination; as an example, it may be used to match two 16  $\Omega$  high frequency drivers to a 16  $\Omega$  network. Frequency response is 30 Hz to 16 kHz, +0, -1 dB, and total harmonic distortion is less than 1% in any configuration.

**SPECIFICATIONS:**

Power Level:	100 W at less than 1% THD, 30 Hz-16kHz
(4 Ω to 32 Ω step-up):	200 W at less than 2% THD, 50 Hz-16 kHz
Insertion Loss:	1 dB maximum, 30 Hz-16 kHz at 100 W
Power Response (100 W):	30 Hz-16 kHz, + 0, -1 dB

**Dimensions**



**Schematic**

